

1 2 3 4 5 6 7 8

A

B

C

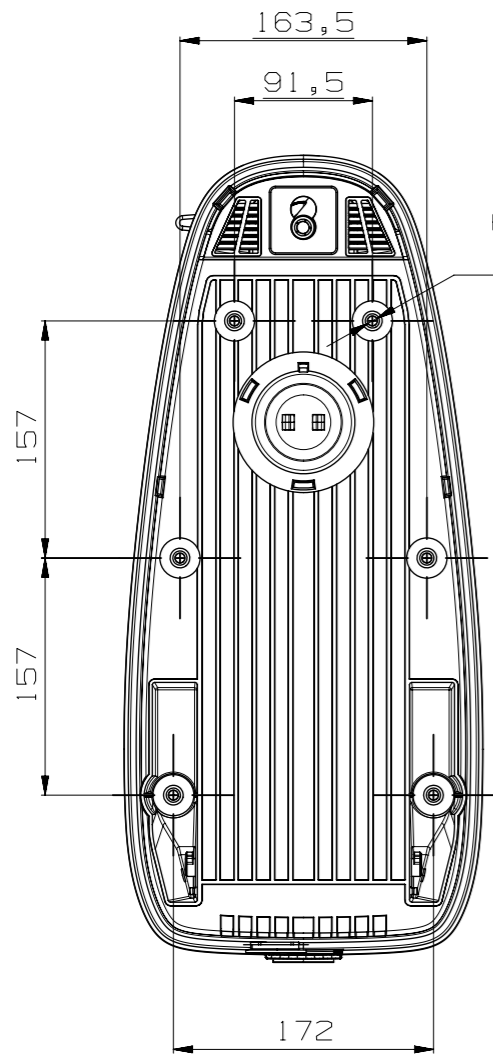
D

A

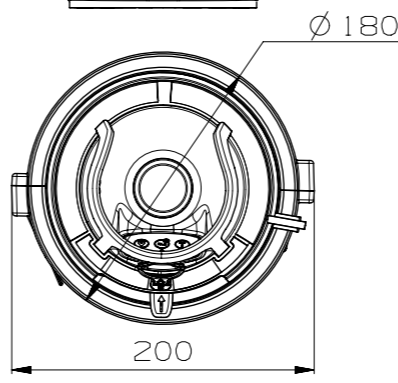
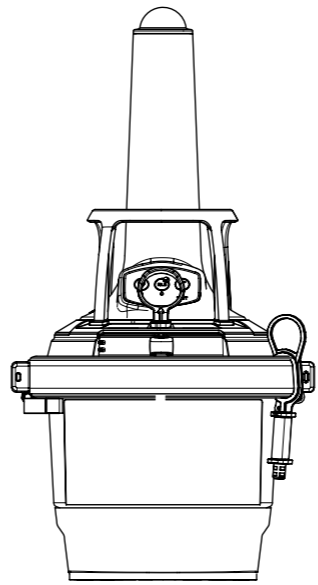
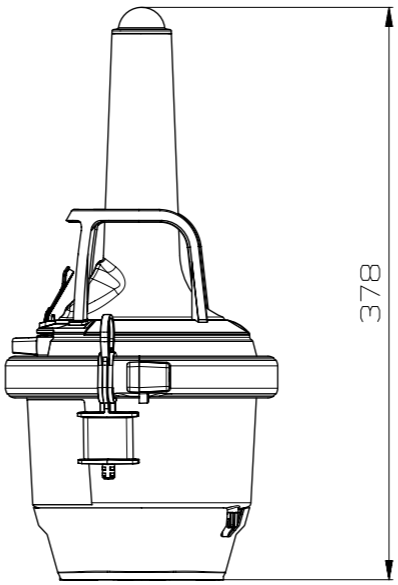
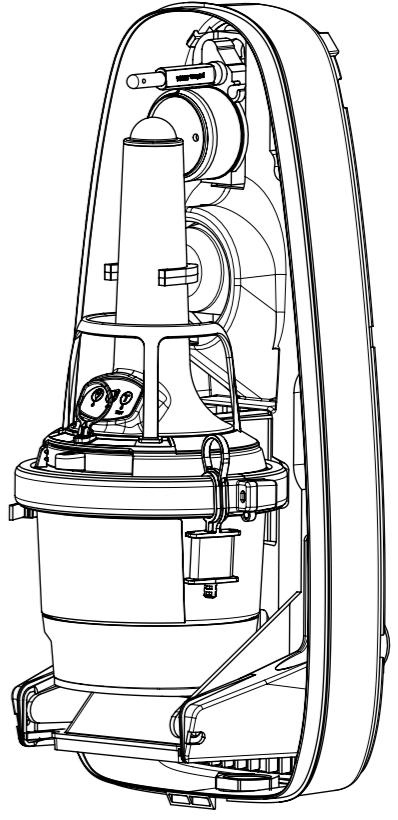
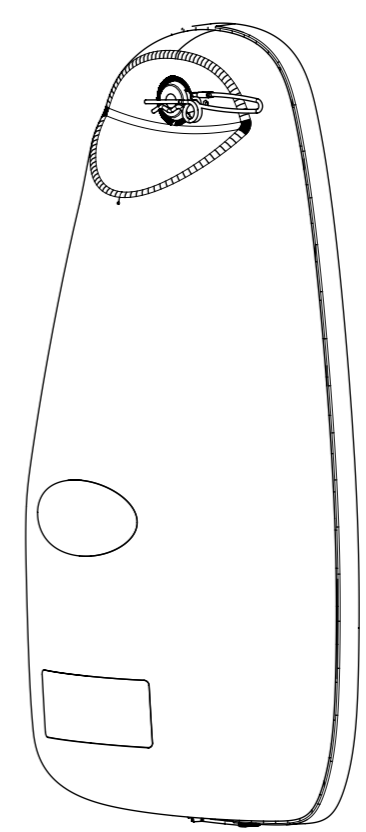
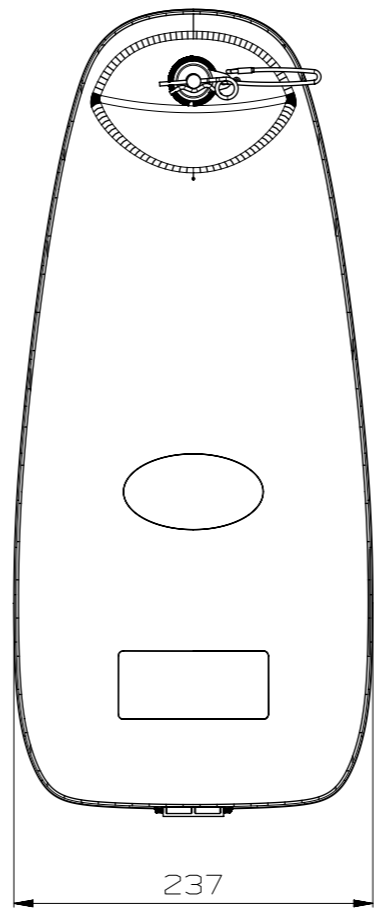
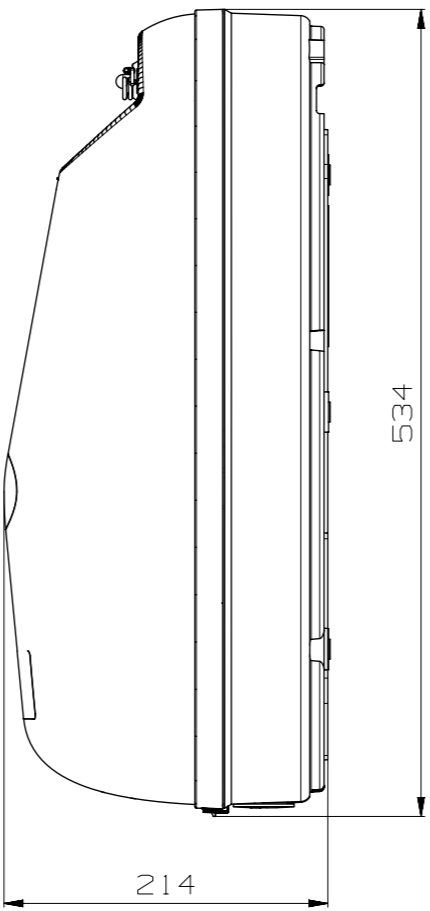
B

C

D



HOLE IN COLLAR
Max $\varnothing 6,5$



Rev	CO	Sign	Date	Description / Change
-	-	MK	16.11.2021	First version
Revision History				

Material/Mass:		This drawing is property of Jotron AS and must not be duplicated or used for manufacturing of any parts disclosed herein without permission from Jotron AS.	
General tolerance	Roughness Ra:		
Part Name: Tron 40AIS W/Bracket		 Performance for Life	
Description: General Arrangement Drawing	Size: A3	Scale:	Sheet: 1/1
	Part No: 103220	Rev: R03	

1 2 3 4 5 6 7 8